

Clarke

INTERNATIONAL

This is an important document, and should be retained.



DECLARATION OF CONFORMITY

We declare that this product complies to the following standards/directives:


- 98/37/EC
- 2000/14/EC ANNEX VI PROCEDURE 1

Notified Body: A.V. Technology Ltd,
Cheadle Heath, Stockport, SK3 0XX

Model No:	Rated Output:	Measured Sound Power Level:	Guaranteed Sound Power Level:
CP6550ESLR	6.5kVA	97.0dB _{LWA}	97.0dB _{LWA}

Product Description: Generator

Serial No:

Signed 
L.E. FERGUSSON
Engineering Manager

Clarke INTERNATIONAL
Hemnal Street, Epping, Essex CM16 4LG

Clarke International is a trading style of Clarke International Limited

Clarke

POWER

Clarke

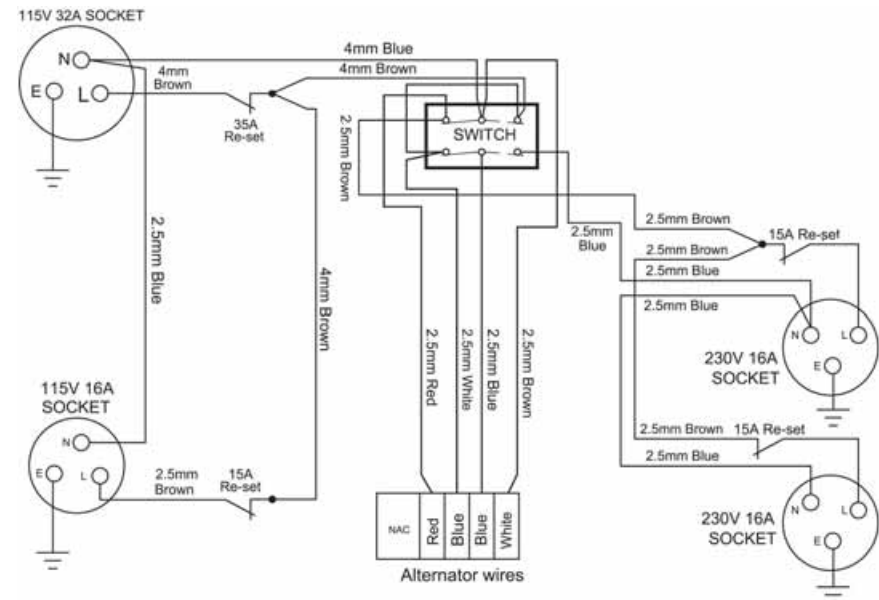
POWER

TECHNICAL INFORMATION

0606

MODEL No:
CP6550ESLR

Schematic Wiring Diagram



POWER

Clarke

Specifications

Model No	CP6550ESLR
Part No	8857655
Dimensions mm (LxWxH)	710x510x600
Gross Weight	87kg
Sound Power level	••
HONDA Engine	
Model	GX390
Displacement	389cc
Power Rating	9.0HP
Fuel Capacity	13.0Litres
Fuel Consumption	2.16 L/h
Running Time (Full Tank)	7.2h
Air Filter Type	Dry
Fuel	Unleaded
Oil Capacity	1.1Litres
Oil Type	10W-30
Spark Plug Type	BPR6ES
Alternator	
Type	NAC5500
Rated Power	6.5kVA
AC Rated Frequency	50 Hz 1ph
Earthing	Floating

•• See Declaration of Conformity on Back Page

Spare Parts

Description:	Part No:
FRAME FR33 W/A E/S BAT BOX:	SH0211009
ALTERNATOR NAC5500 BC-A0/T:	SH0130090
ALTERNATOR & ENGINE MOUNT:(ALL)	SH0270027
CONTROL BOX 5 SKT 4x16 1x32A ROTARY WIRED:	SH0491001
CONTROL BOX 5 SKT CON5:	SH0090193
MOUNTING SET C/BOX:	SH0130106
COLLAR:	SH0130063
GROMMET:	SH0130070
MCB GTEC 25AMP 1 POLE	SH0360011
MCB GTEC 50AMP 1 POLE	SH0360020
MCB COVER 2	SH0360038
SWITCH MERZ Z101 20/25A	SH0430005
SOCKET 115V 16A:	SH0440001
SOCKET 230V 16A:	SH0440002
BATTERY BOX:	SH0210093
BATTERY BOX LID:	SH0210094
BATTERY YB16CL-B19A/H:	SH0540001
ALTERNATOR END COVER:	SH0130067
DIODE PCB ASS:	SH0130073
CAPACITOR 22uF:	SH0370015
FUEL TANK STEEL 15.5 LITRES:	SH0210092
FUEL TAP INLINE:	SH0480002
FUEL FILTER SMALL-IN-LINE:	SH0480003
FILLER NECK:	SH0480005
FILLER CAP:	SH0480006

For Spare Parts and Service, please contact your nearest dealer, or
CLARKE International, on one of the following numbers.

PARTS & SERVICE TEL: 020 8988 7400

PARTS & SERVICE FAX: 020 8558 3622

or e-mail as follows:

PARTS: Parts@clarkeinternational.com

SERVICE: Service@clarkeinternational.com